

ENGLISH V1.9

Is possible to download the complete manual to the site : www.vegalift.it



ITALIAN STYLE FOR LIFTS

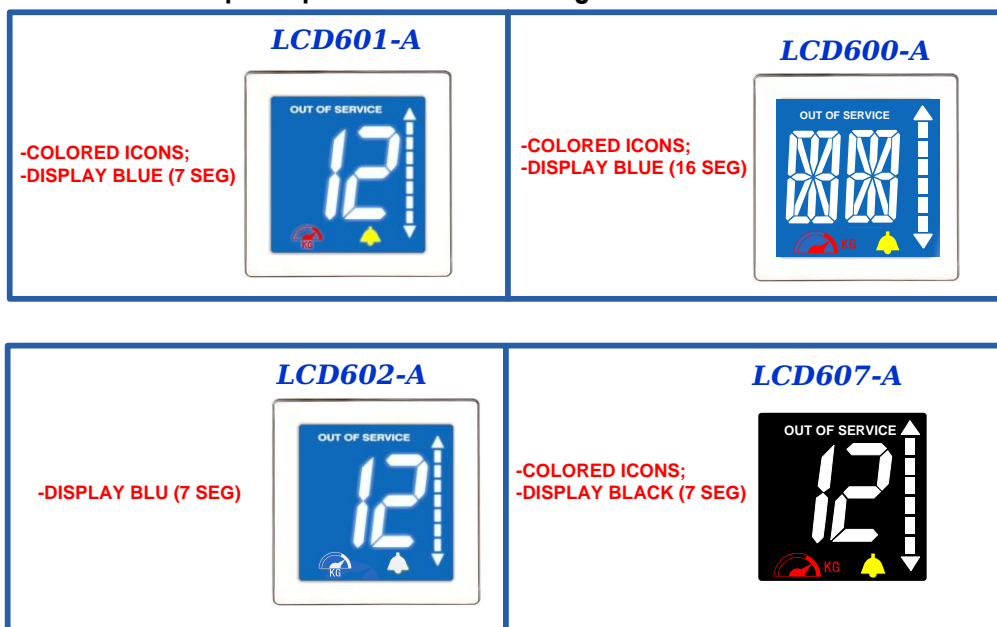
Rev. n. 0 Data: 07/11/14 hardware v.1 frw 1.9

PROGRAMMABLE SERIAL DISPLAY LCD

Floor display for each type of lift system

Car display for lifts platforms

Connect up to 2 push buttons and 2 light



Support by version:

V4.3.037-V7.0.044-V4.1.118-V1.0.007

KIT of fixed:

Kit FL67x70-1, 2: Kit for flush mounting (1, 2 mm);

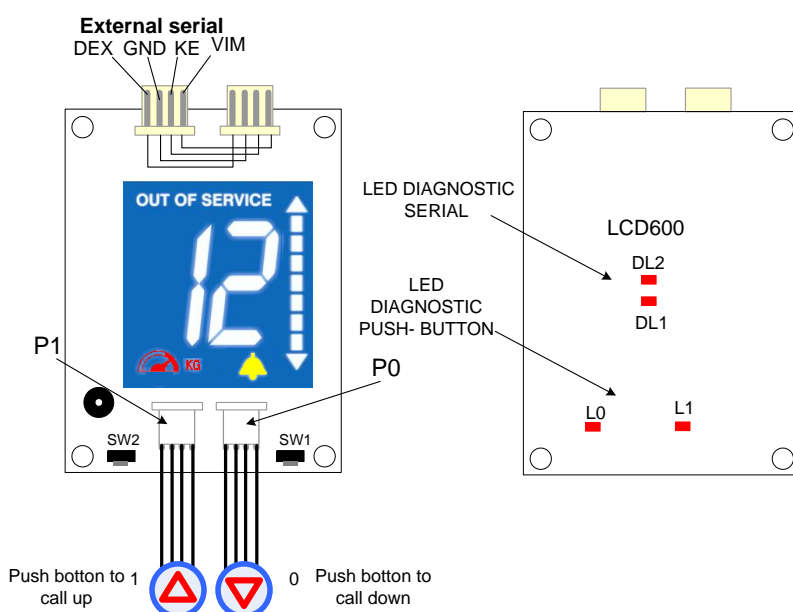
Kit FL67x70-2: Kit for flush mounting (2 mm);

Kit cornice VG002: Kit whit normal frame;

Kit cornice VG001: Kit whit lowered frame.

TECHNICAL DATA

VISIBLE AREA	50x54 mm
BOARDS DIMENSION	90x62x10 mm
FONT TYPE	White on blue background
PROGRAMMING	Act the SW1 and SW2 push buttons on the board
MOUNTING	Thanks to the aesthetics and the compact design, this display allow an easy and elegant installation on the car button panel
POWER SUPPLY	12-24 VDC \pm 10%
CURRENT (WITHOUT PUSH-BUTTON)	40mA nominal – 80mA MAX
TEMPERATURE WORKING RANGE	from -15°C to +50°C
TEMPERATURE STOCKING RANGE	from -25°C to +60°C



PINOUT Serial connector

DEX GND KE VIM	DEX	Data landing serial
	GND	Power supply (-)
	KE	Clock landing serial
	VIM	Power supply (+)

PUSH BUTTON P0, P1:

INPUT	Single call	Collettive plant
P0 PUSH BUTTON	Push-button of call	Down push-button
P1PUSH BUTTON	---	Up push-button

OUTPUT	Single call	Collettive plant
P0 PUSH BUTTON	Busy signal	Down light
P1PUSH BUTTON	Present light or SA (Alarm active signal)	Up light or SA (Alarm active signal)

* **NOTE:** For the active alarm must activate the function in the control board. See the user manual of the control board.

LED'S DIAGNOSTIC:

Push-buttons: At the pression of push button the led switch on. L0 (Push-button P0) and L1 (push-button P1)

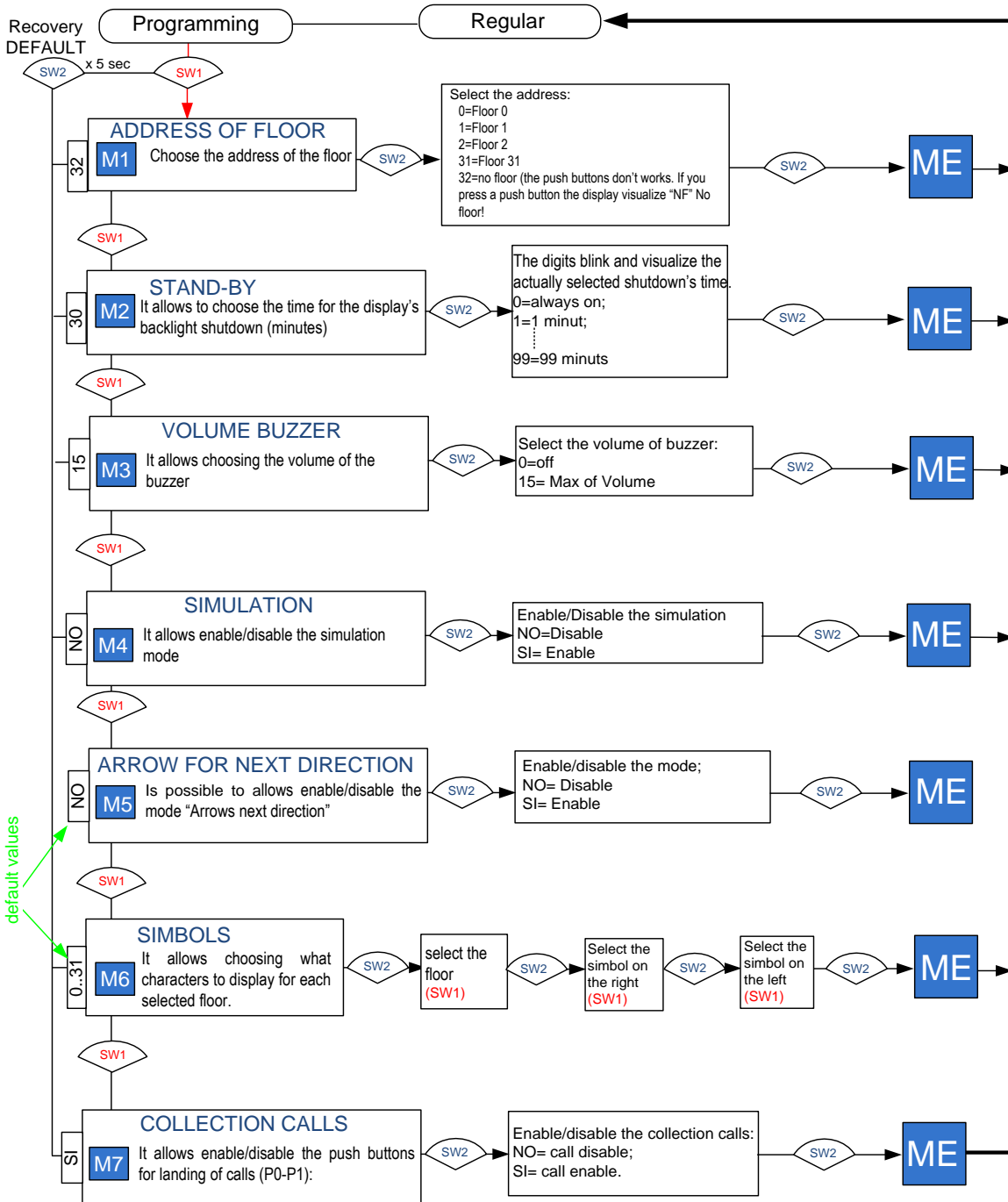
	OFF	ON
L0		
L1		

Serial diagnostic:

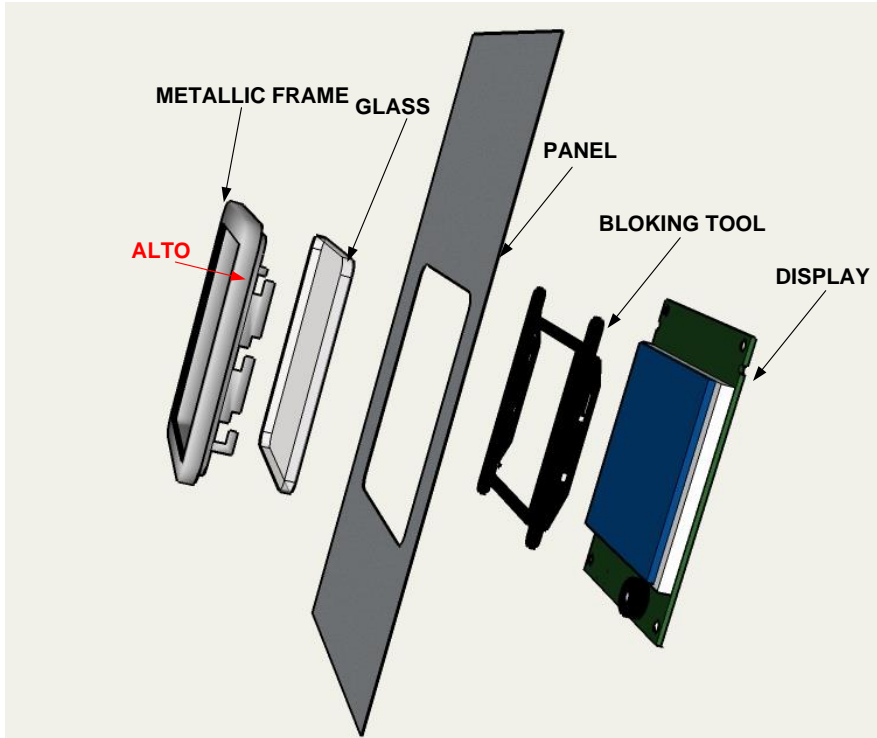
DL2: Indicates the address of the display programmed to menu 1. (Floor number -1) + 3 sec pause;

DL1: Slow blinking, the display receives the serial signals.
Fast blinking= Serial Wiring incorrect or broken, or menu 1=32.

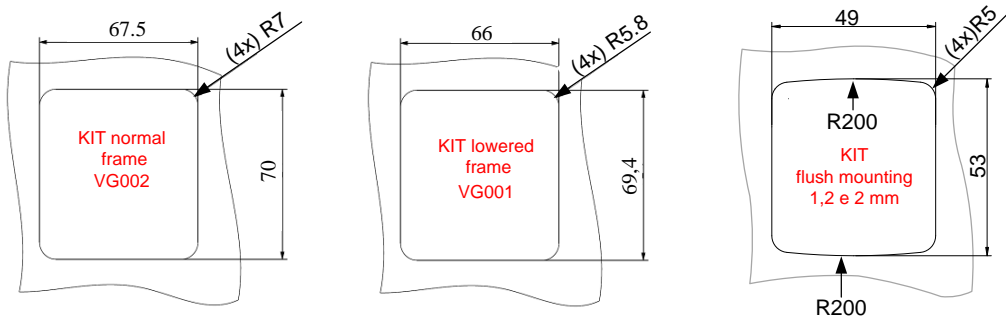
PROGRAMMATIONS:



MOUNTING:



DISPLAY CUT OUT



DIMENSION DISPLAY

